

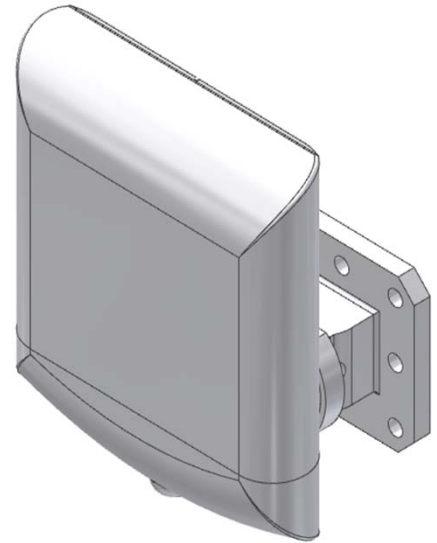
IMT Patch Antenna

1920 ~ 2170 MHz / 5 dBi



IMT-SGPA-05

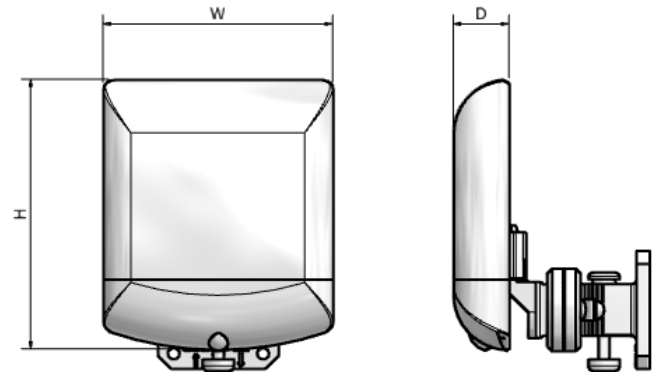
i. Electrical Specification

Frequency Range	1920 ~ 2170 MHz	
Polarization	Vertical	
Band Width	250 MHz	
Gain	≥ 5 dBi	
Beam width	Horizontal	≥ 60°
	Vertical	≥ 50°
F-B ratio	≥ 15 dB	
VSWR	≤ 1 : 2	
Impedance	50 Ω	
Maximum input power	10 W	

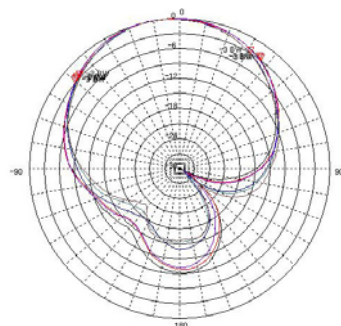


ii. Mechanical Specification

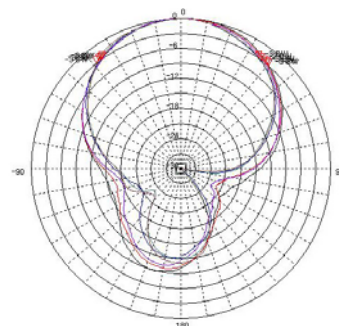
Radom Dimension (H x W x D)	115 x 95 x 23 mm	
Weight (Include bracket)	≤ 150 g	
Connector Type	N or SMA	
Withstand Wind Pressure	60 m/sec	
Radome Material	ASA, ABS	
Radome Color	 Cool Gray 1C  Cool Gray 4C	
Mechanical Down Tilt	Up, Down ± 25°	
	Left, Right ± 30°	
Temperature	-40 °C ~ 70 °C	
Packing Size (H x W x D) 50SET	-	
Packing Weight	-	



iii. Radiation Pattern



Horizontal Pattern



Vertical Pattern